

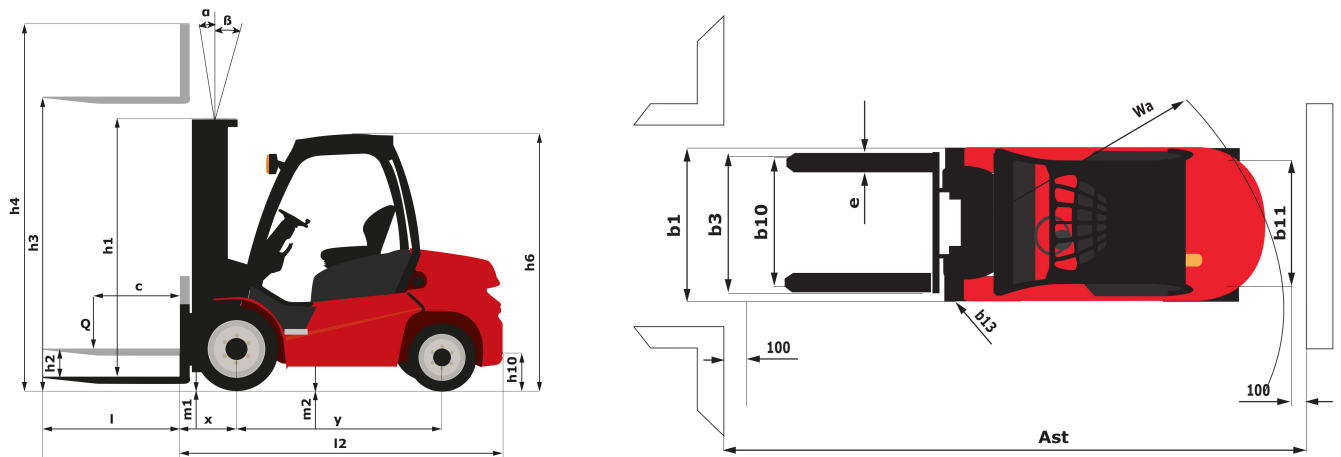
Technical sheet :

MI 15 G ST5



	Technical characteristics		Metric
1.1	Manufacturer		MANITOU
1.2	Model Name		MI 15 G ST5
1.3	Power source		Lpg
1.4	Operator type		Seated
1.5	Max. capacity	Q	1500 kg
1.6	Load centre of gravity	c	500 mm
1.8	Load distance, centre of drive axle to fork	x	405 mm
1.9	Wheelbase	y	1420 mm
	Weight		
2.1	Service weight		2710 kg
2.2	Weight on front axle (laden) / rear axle (laden)		3640 kg / 570 kg
2.3	Weight on front axle (Unladen) / rear axle (Unladen)		1230 kg / 1480 kg
	Wheels		
3.1	Tyres type		Super Elastic
3.2	Dimensions of front wheels		6.50-10 10PR
3.3	Dimensions of rear wheels		5.00-8 8PR
3.5	Number of front wheels / rear wheels		2 / 2
3.5.2	Number of drive wheels		2
3.6	Front wheel gauge	b10	900 mm
3.7	Rear wheel gauge	b11	920 mm
	Dimensions		
4.1	Tilt of Mast Forward (deg) / Backward (deg)	α / β	6 / 12
4.7	Overall height of standard overhead guard	h6	2090 mm
4.8	Seat height/stand height	h7	1160 mm
4.12	Height of towing bar (coupling height)	h10	315 mm
4.19	Overall length	l1	3310 mm
4.20	Length to face of forks	l2	2240 mm
4.22	Forks section / width / length	s / e / l	35 mm x 100 mm / 1070 mm
4.23	Fork carriage ISO 2328 (class/form) A/B		FEM 2A
4.24	Fork carriage width	b3	1000 mm
4.31	Ground clearance below mast	m1	115 mm
4.32	Ground clearance at centre of wheelbase	m2	150 mm
4.34	Aisle width for 800 x 1200 pallet lengthways	Ast	3790 mm
4.35	Turning radius	Wa	1985 mm
4.36	Internal turning radius (over tyres)	b13	55 mm
	Performances		
5.1	Travel speed (laden / unladen)		17.5 km/h / 18 km/h
5.2	Lifting speed (laden / unladen)		0.61 m/s / 0.65 m/s
5.3	Lowering speed (laden / unladen)		0.5 m/s / 0.55 m/s
5.5	Drawbar pull (Laden / Unladen)		1800 daN / 770 daN
5.7	Gradeability (laden / unladen)		20 % / 20 %
5.10	Service brake		Hydraulic
	Engine		
7.1	Engine brand / model / norm		GCT (ex-Nissan) / GK21 LPG / Stage V
7.2	Engine power according to ISO 1585		38.4 kW
7.3	Rated speed		2700 rpm
7.4	Number of cylinders / Capacity of cylinders		4 - 2065 cm ³
7.5	Fuel consumption according to VDI cycle		5.7 l/h
	Miscellaneous		
8.2	Working hydraulic pressure for attachments		160 Bar
8.3	Oil flow rate for attachments		56 l/min

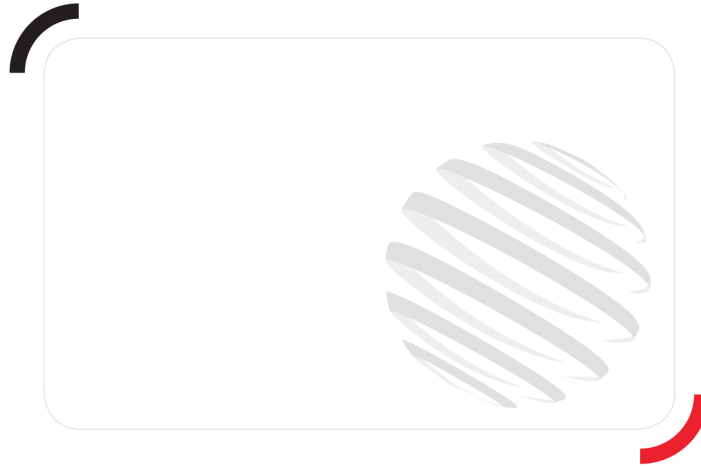
Dimensional drawing



Characteristics of masts and residual capacities

		FVD 37
-		
h1 - Height mast lowered *	mm	2395

		FVD 33
Full Visibility Duplex		
h1 - Height mast lowered *	mm	2145
h2 - Free lift	mm	155
h3 - Lifting Height	mm	3300
h4 - Height mast extended *	mm	3865
α / β - Mast inclination (front / rear)	°	6 / 12
Height at max capacity	mm	3300
Height at max capacity with integrated sideshift	mm	3300
Residual capacity without attachment (Industrial load chart)	kg	1500
Residual capacity with integrated side shift (Industrial load chart)	kg	1500



Siège Social
430 rue de l'Aubinière - 44150 Ancenis Cedex - France
Tel: +33(0)2 40 09 10 11 - Fax: +33 (0)2 40 09 10 97
www.manitou.com



This brochure describes versions and configuration options for Manitou products which may be fitted with different equipment. The equipment described in this brochure may be standard, optional or not available depending on version. Manitou reserves the right to change the specifications shown and described at any time and without prior warning. The manufacturer is not liable for the specifications given. For more information, contact your Manitou dealer. Non-contractual document. Product descriptions may differ from actual products. List of specifications is not comprehensive. The logos and visual identity of the company are the property of Manitou and may not be used without authorisation. All rights reserved. The photos and diagrams contained in this brochure are provided for information only.

MANITOU BF SA - Limited company with board of directors - Share capital: 39,668,399 euros - 857 802 508
RCS Nantes